

# Wifi

## Intelligent Solar Energy Alert PTZ Camera User Manual



V2. 2

### 1:PRODUCTS & PACKING LIST

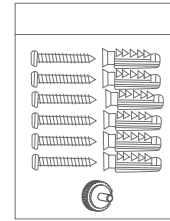
#### 1.1 Product picture:



#### 1.2 Packing list:



1\* Solar panel



#### 1\*Screw kit

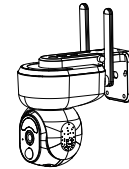
- 1\*Hexagon spanner
- 1\*Screw driver
- 6\*Screws
- 6\*Tapping screw
- 1\* USB charging cable



1\*User manual

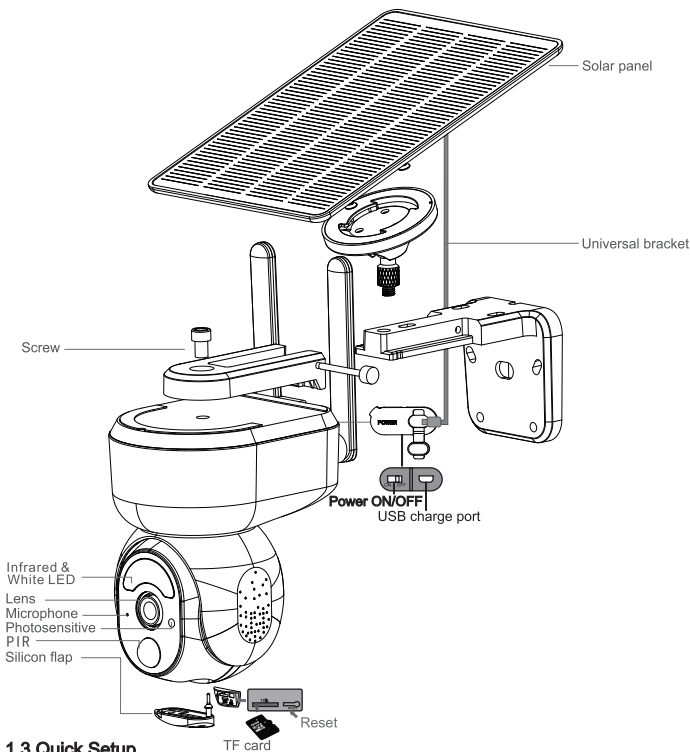


1\*Extra power cable 3M



1\* PTZ Camera

### Product Diagram



#### 1.3 Quick Setup

- 1.3.1 Insert the USB cable of solar panel to the "USB" Silicon Flap on the bracket base for battery charging.
- 1.3.2 Press the Power switch to turn **ON/OFF** the camera,
- 1.3.3 Wait the voice prompt step by step for pairing the camera with the APP.

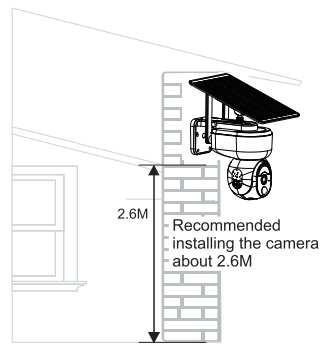
#### 1.4 Note:

- 1.4.1 Before you turn on the camera, please close the silicon flap to avoid rain leakage.
- 1.4.2. Make sure your phone is connecting to the 2.4Ghz wifi firstly before you pairing the camera.

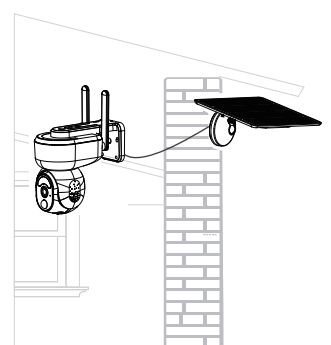
### 2 .INSTALLATION

#### 2.1 Intergrated installation

#### 2.2 Separated installation



2.6M  
Recommended installing the camera about 2.6M



### 3. APP INSTALLATION

- 3.1. Scan the following QR codes or search for "UBox" from the App Store (for iOS devices) or Google Play Store (for Android smartphones) to download and install the app.



#### 3.2. APP REGISTRATION

- 3.2. 1. Open the app then input your E-mail address then press 'Register'. Check and select to agree the agreement then your E-mail box will get a verification code. (For better user's experience, please allow to open all permissions to avoid missing any notifications from the app.)

- 3.2. 2. Input the "Verification code" and press 'Next'. (if you not found the mail you might find the code in your email spam box. )